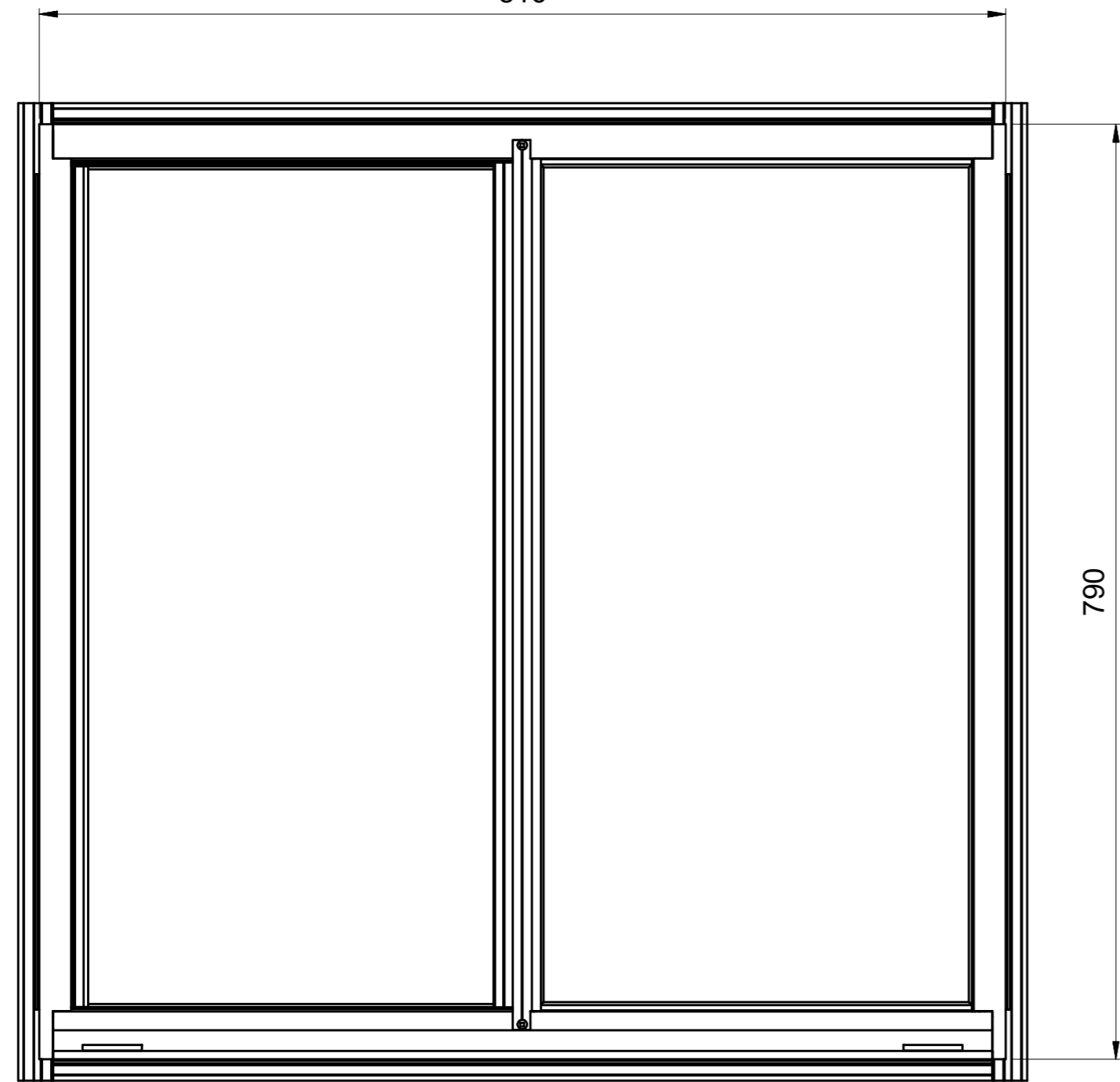




"C" "B"

816



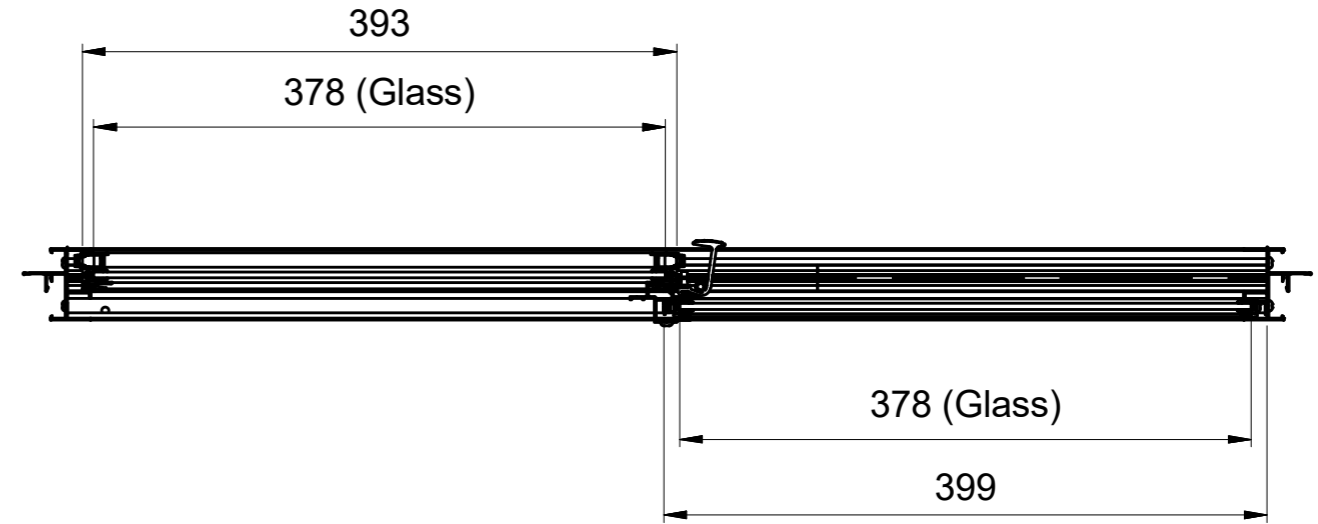
"A"

"A"

790

"C" "B"

Sliding Glass Window (790x816)



Section "A" - "A"



Section "B" - "B"



Section "C" - "C"

Released

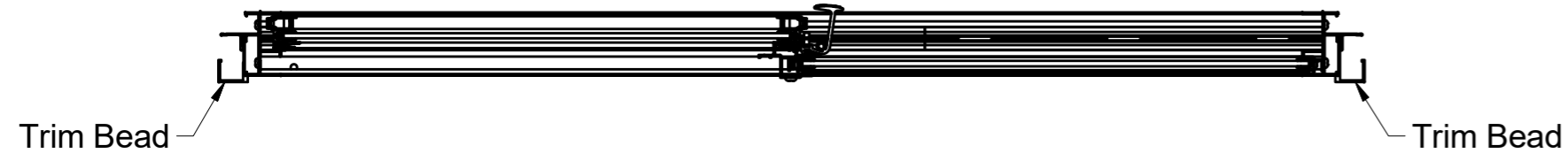


ADVANCE METAL INDUSTRIES AUSTRALIA

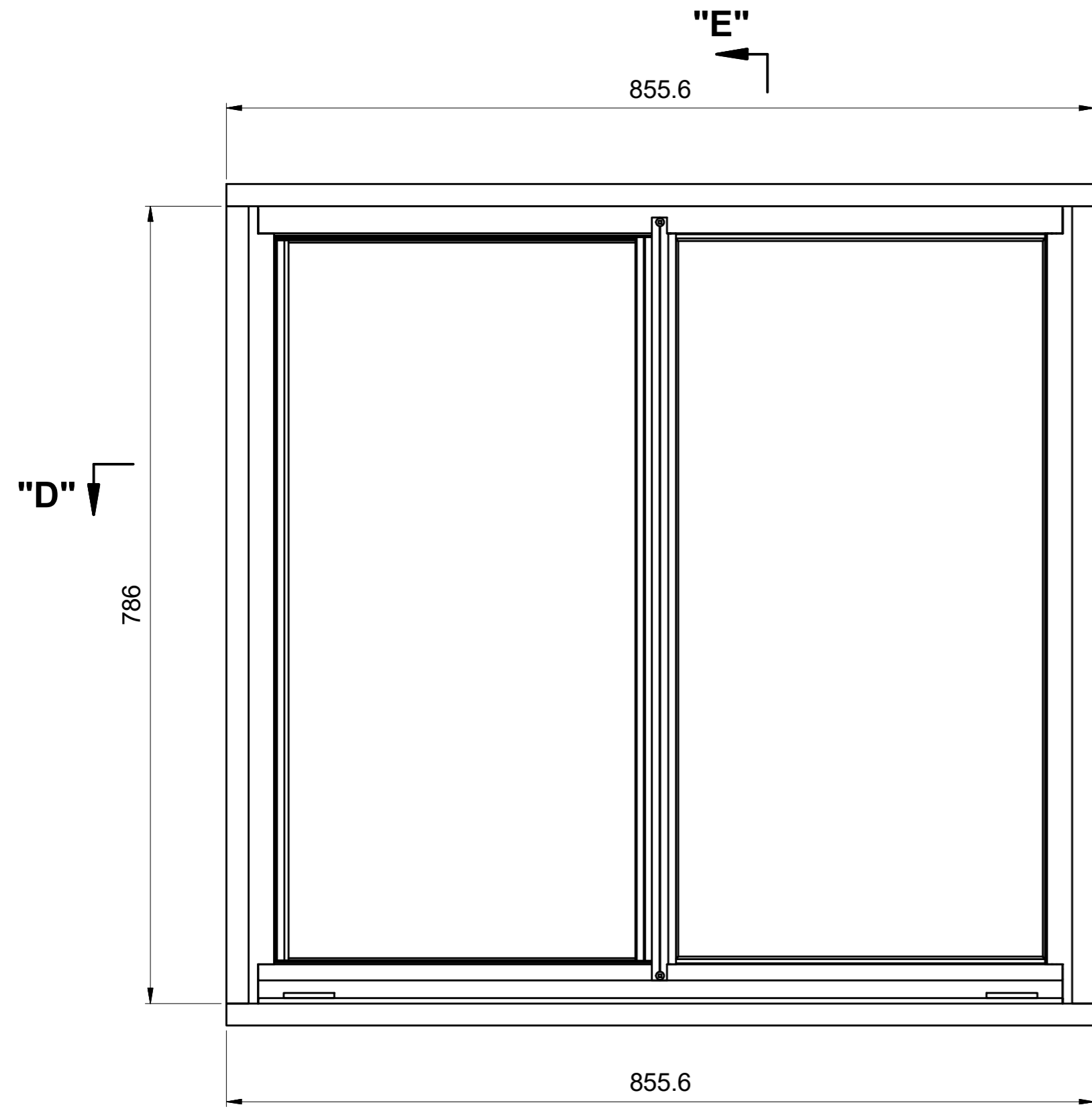
183 Orlando Street COFFS HARBOUR NSW 2450
Phone: 02 6652 6955 Fax: 02 6652 3676
ABN: 21 566 112 133

DWG TITLE: Sliding Glass Window (790x816)		ISSUE DATE: 9/06/2021	APPROVAL SENT:
CLIENT:		CHECKED DATE:	APPROVAL DATE:
DRAWN: JMB	CREATED: 9/06/2021	CHECKED BY:	APPROVED BY:
SCALE: 1:5	PROJECT No.:	DRAWING No.:	SHEET REV SIZE
		SGW-0790x0816-STD	1 0 A2

REV	NAME	DATE	DESCRIPTION
0	JMB	9/06/2021	Released



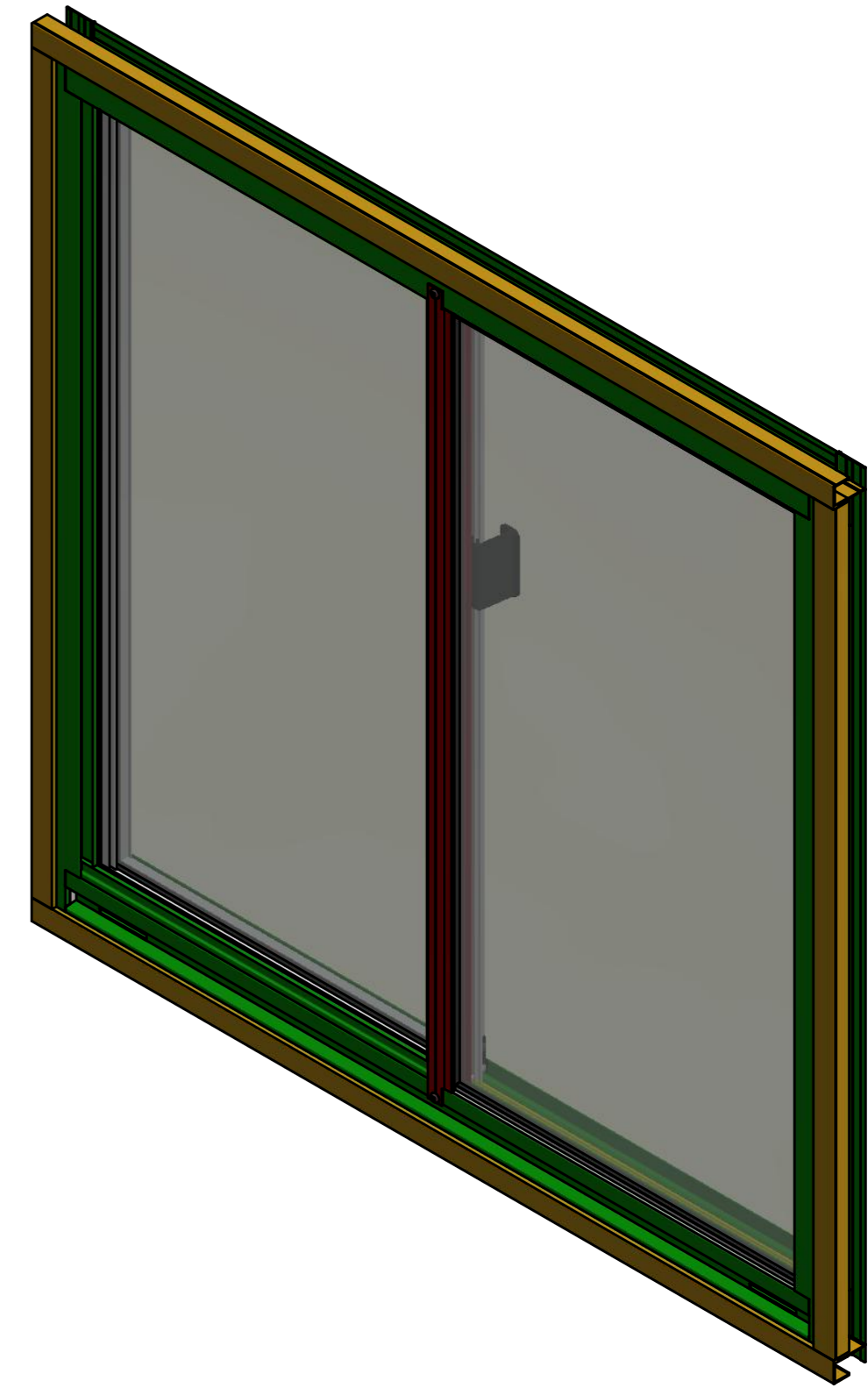
Section "D" - "D"



Sliding Glass Window (790x816)
Trim Bead Installed



Section "E" - "E"



Sliding Glass Window (790x816)
Isometric View

Released



ADVANCE METAL INDUSTRIES AUSTRALIA
183 Orlando Street COFFS HARBOUR NSW 2450
Phone: 02 6652 6955 Fax: 02 6652 3676
ABN: 21 566 112 133

DWG TITLE: Sliding Glass Window (790x816)		ISSUE DATE: 9/06/2021	APPROVAL SENT:
CLIENT:		CHECKED DATE:	APPROVAL DATE:
DRAWN: JMB	CREATED: 9/06/2021	CHECKED BY:	APPROVED BY:
SCALE: PROJECT No.	DRAWING No. SGW-0790x0816-STD		SHEET REV SIZE
1 : 5			2 0 A2

REV	NAME	DATE	DESCRIPTION
0	JMB	9/06/2021	Released