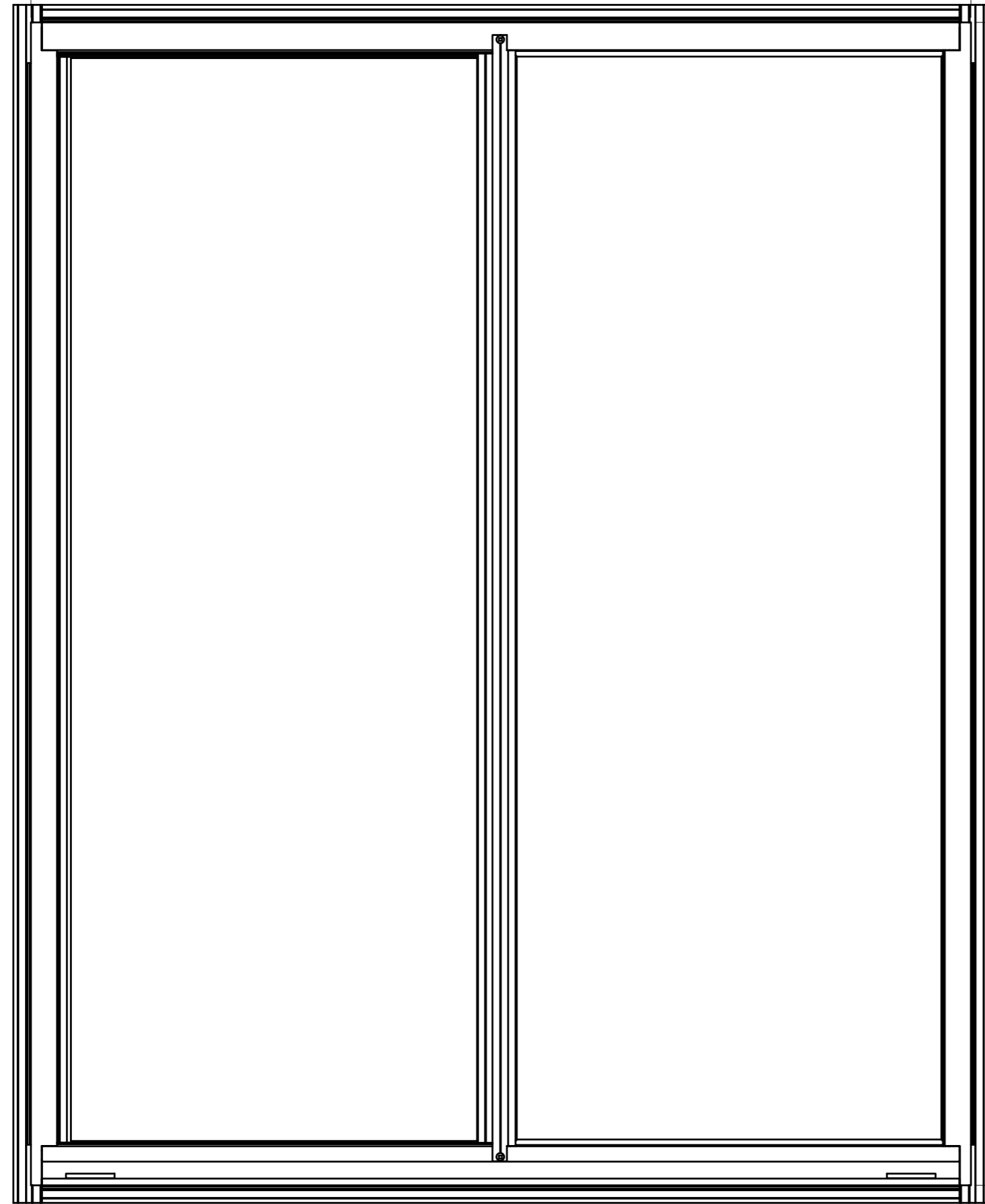




"C"

"B"

970



"A"

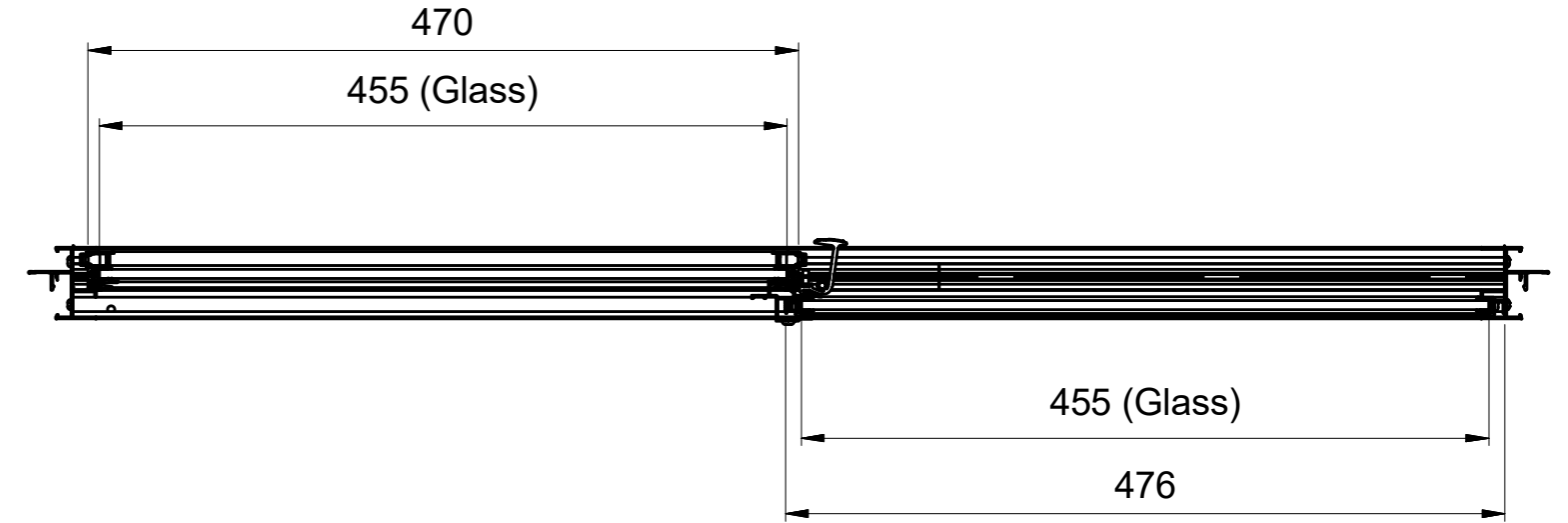
"A"

1200

"C"

"B"

**Sliding Glass Window (1200x970)**



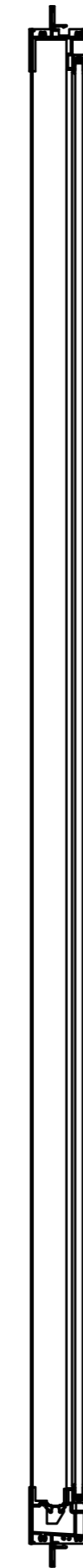
470

455 (Glass)

455 (Glass)

476

**Section "A" - "A"**



1134 (Glass)

1147

1134 (Glass)

1141

**Section "B" - "B"**

**Section "C" - "C"**

Released



**ADVANCE METAL INDUSTRIES AUSTRALIA**

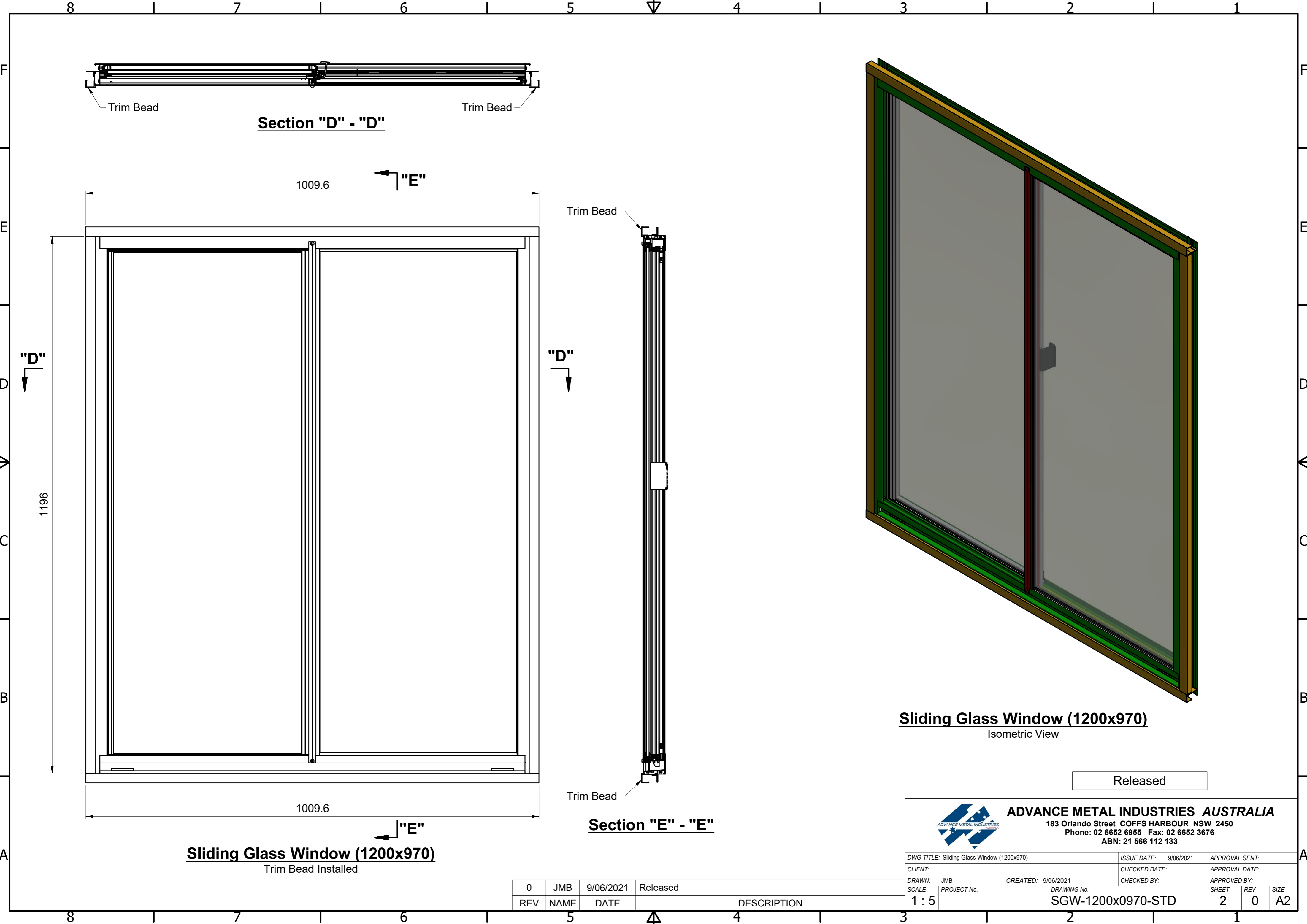
183 Orlando Street COFFS HARBOUR NSW 2450

Phone: 02 6652 6955 Fax: 02 6652 3676

ABN: 21 566 112 133

DWG TITLE: Sliding Glass Window (1200x970)		ISSUE DATE: 9/06/2021	APPROVAL SENT:
CLIENT:		CHECKED DATE:	APPROVAL DATE:
DRAWN: JMB	CREATED: 9/06/2021	CHECKED BY:	APPROVED BY:
SCALE: PROJECT No.	DRAWING No. SGW-1200x0970-STD		SHEET REV SIZE
1 : 5			1 0 A2

REV	NAME	DATE	DESCRIPTION
0	JMB	9/06/2021	Released



**Sliding Glass Window (1200x970)**  
Trim Bead Installed

**Sliding Glass Window (1200x970)**  
Isometric View

Released



**ADVANCE METAL INDUSTRIES AUSTRALIA**  
183 Orlando Street COFFS HARBOUR NSW 2450  
Phone: 02 6652 6955 Fax: 02 6652 3676  
ABN: 21 566 112 133

DWG TITLE: Sliding Glass Window (1200x970)		ISSUE DATE: 9/06/2021	APPROVAL SENT:
CLIENT:		CHECKED DATE:	APPROVAL DATE:
DRAWN: JMB	CREATED: 9/06/2021	CHECKED BY:	APPROVED BY:
SCALE: PROJECT No.	DRAWING No. SGW-1200x0970-STD		SHEET REV SIZE
1 : 5			2 0 A2

REV	NAME	DATE	DESCRIPTION
0	JMB	9/06/2021	Released