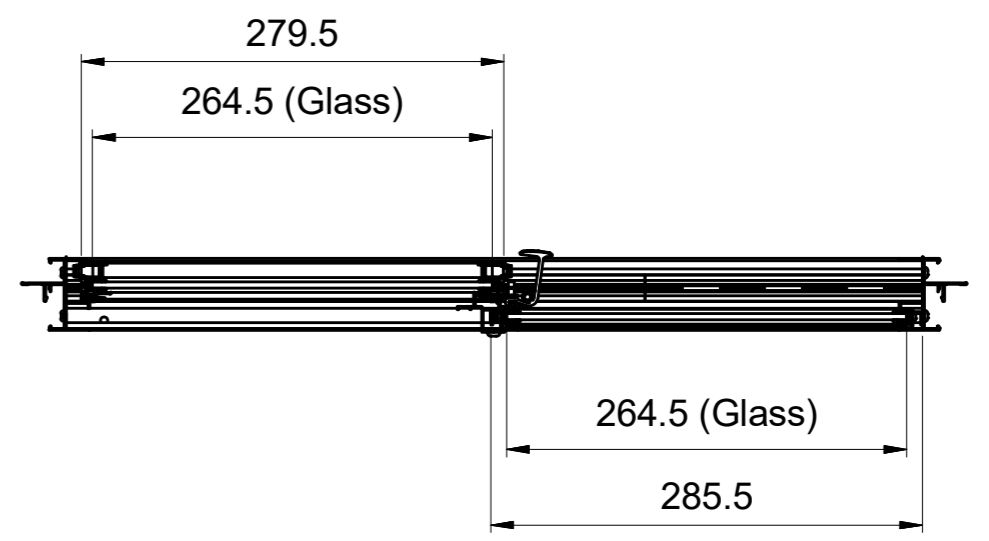
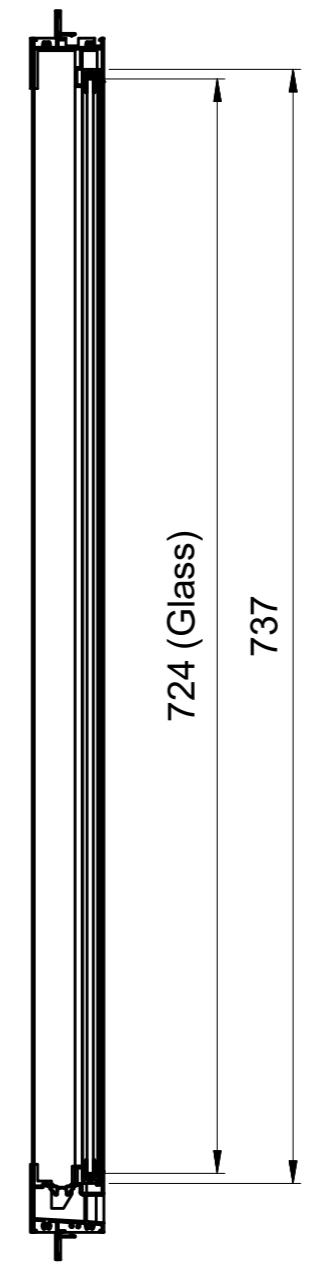


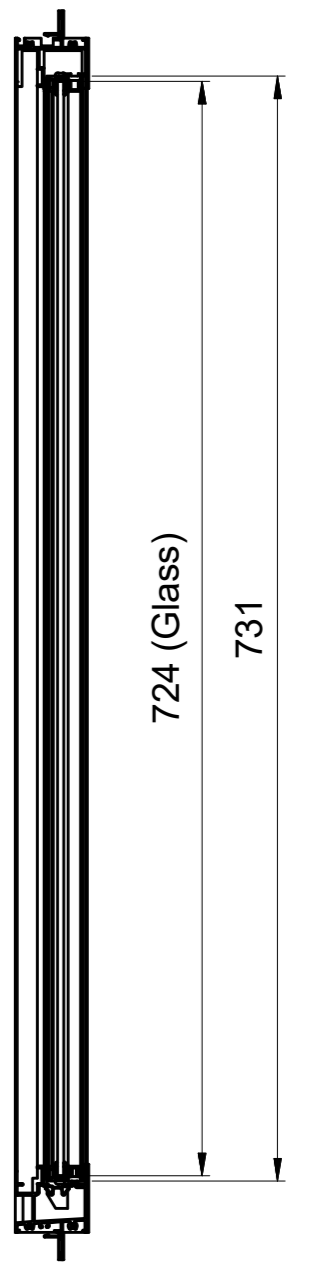
**Sliding Glass Window (790x589)**



**Section "A" - "A"**



**Section "B" - "B"**



**Section "C" - "C"**

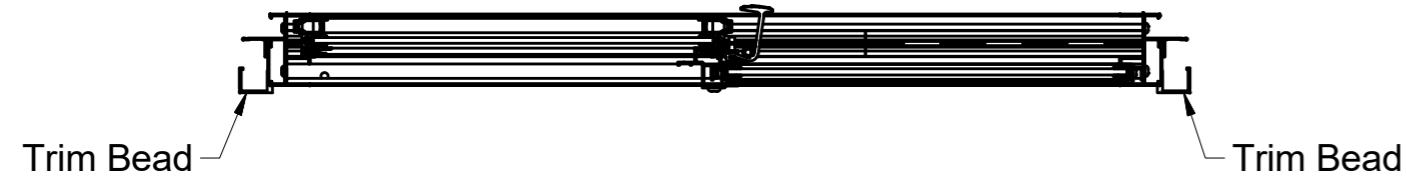
Released



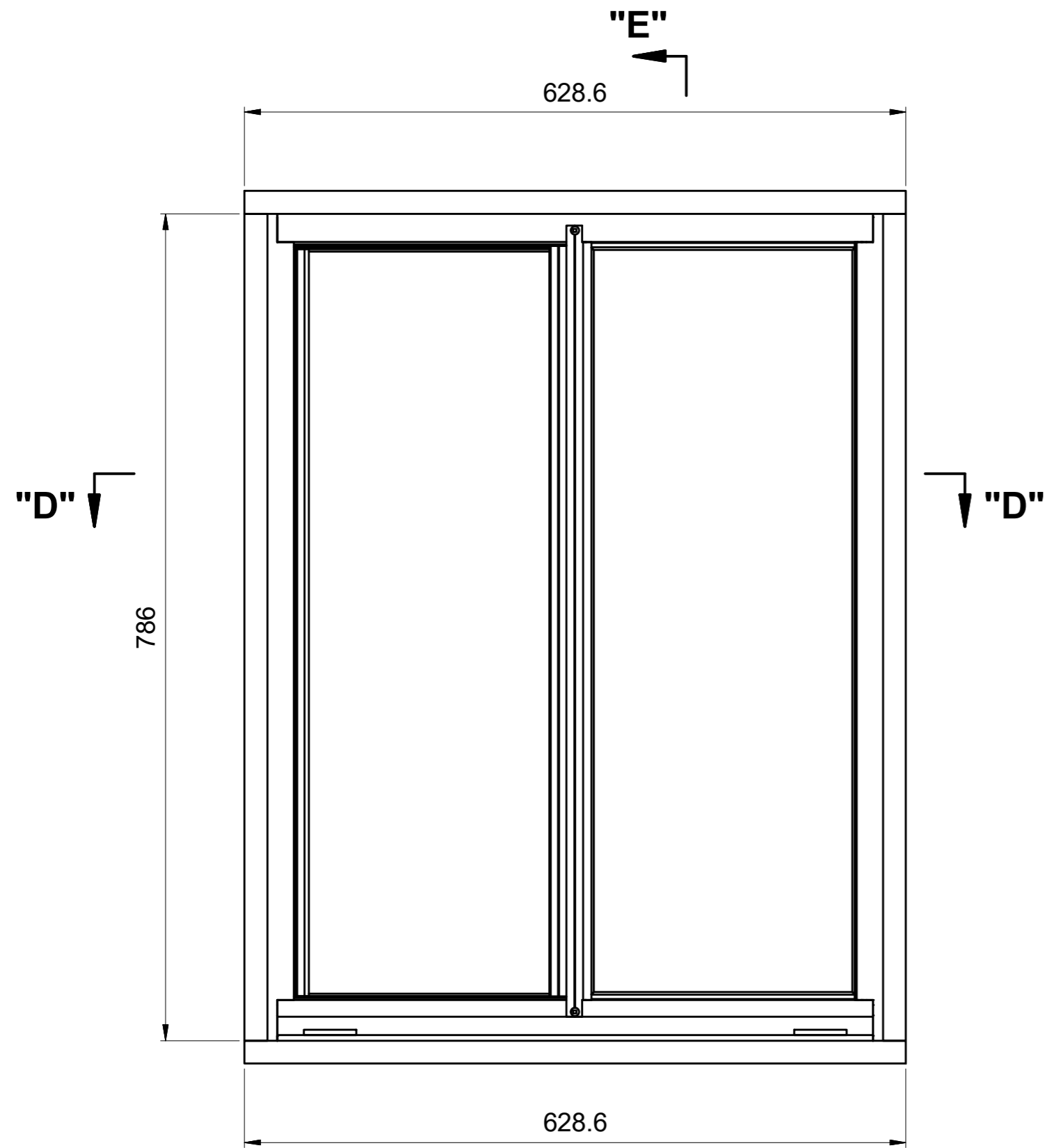
**ADVANCE METAL INDUSTRIES AUSTRALIA**  
 183 Orlando Street COFFS HARBOUR NSW 2450  
 Phone: 02 6652 6955 Fax: 02 6652 3676  
 ABN: 21 566 112 133

DWG TITLE: Sliding Glass Window (790x589)		ISSUE DATE: 9/06/2021	APPROVAL SENT:
CLIENT:		CHECKED DATE:	APPROVAL DATE:
DRAWN: JMB	CREATED: 9/06/2021	CHECKED BY:	APPROVED BY:
SCALE: 1:5	PROJECT No.:	DRAWING No.:	SHEET REV SIZE
		SGW-0790x0589-STD	1 0 A2

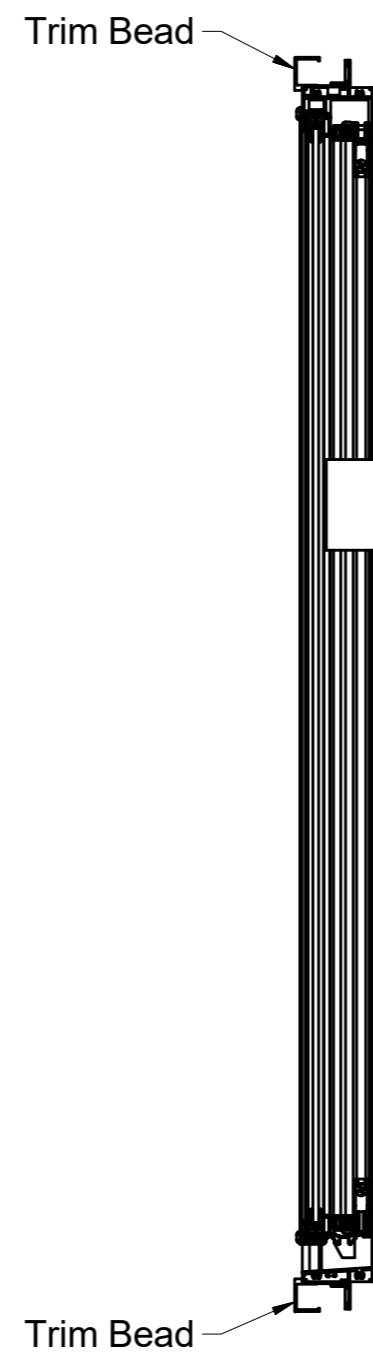
REV	NAME	DATE	DESCRIPTION
0	JMB	9/06/2021	Released



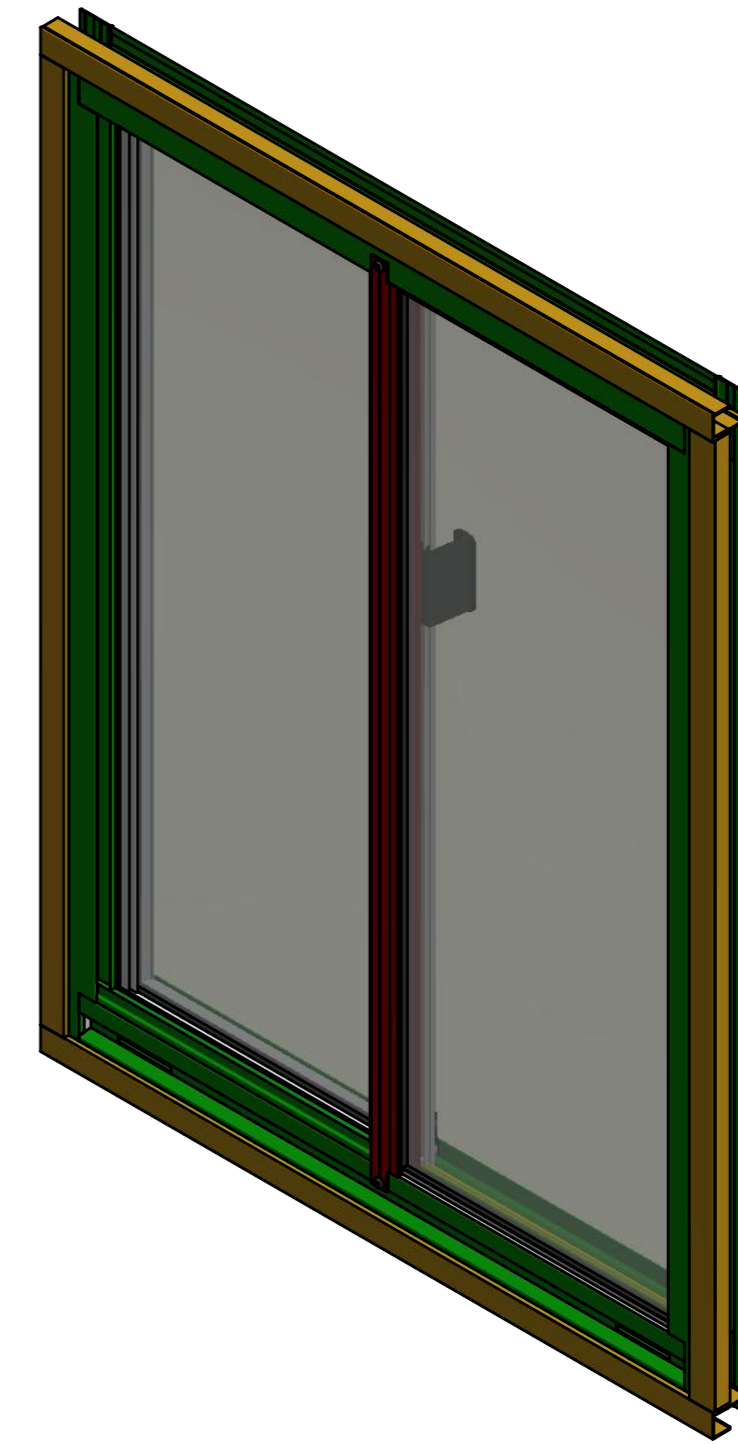
**Section "D" - "D"**



**Sliding Glass Window (790x589)**  
Trim Bead Installed



**Section "E" - "E"**



**Sliding Glass Window (790x589)**  
Isometric View

Released



**ADVANCE METAL INDUSTRIES AUSTRALIA**  
183 Orlando Street COFFS HARBOUR NSW 2450  
Phone: 02 6652 6955 Fax: 02 6652 3676  
ABN: 21 566 112 133

DWG TITLE: Sliding Glass Window (790x589)		ISSUE DATE: 9/06/2021	APPROVAL SENT:
CLIENT:		CHECKED DATE:	APPROVAL DATE:
DRAWN: JMB	CREATED: 9/06/2021	CHECKED BY:	APPROVED BY:
SCALE: 1:5	PROJECT No.	DRAWING No. SGW-0790x0589-STD	SHEET 2
			REV 0
			SIZE A2

REV	NAME	DATE	DESCRIPTION
0	JMB	9/06/2021	Released